

# TIK-REG recorder

Designed for connecting various devices to it via digital RS-485 / Ethernet interfaces, collecting and storing information from these devices, sending the collected information to the server, and generating actions based on events



**TIK-REG 021**  
digital interfaces  
RS-485 / Ethernet,  
relay output,  
discrete input

**TIK-REG 121**  
digital interfaces  
RS-485 / Ethernet, relay  
output, discrete input,  
3G modem

## Description

When connecting devices to it, it collects / stores the received information and various parameters (via digital interfaces), as well as configures the operation of devices.

The recorder is also capable of transmitting information to external devices using a 3G cellular network.

## Features

- the presence of a full-fledged GSM module with support for 3G networks, a slot for a SIM card and an external antenna\*;
- connection of an external GPS module operating via the RS-485 interface (at the request of the customer);
- built-in flash-drive up to 64 Gb;
- relay output, discrete input;
- availability of digital communication channels 2xRS-485 (Modbus RTU Master / Slave) and 1xEthernet (Modbus TCP);
- availability of web-interface for setting up the recorder;
- the ability to access data on a flash-drive through an FTP-server;
- LED indication of instrument status and data transfer process;
- compact case.

\*only for TIK-REG 121

## Specifications

### Interface

Input signal type:

- 2xRS-485 (Modbus RT Master / Slave);
- Ethernet (Modbus TCP);
- discrete input

Output signal type:

- relay output;
- 3G cellular signal

Power supply, V ..... +24±2

Power consumption, not more than, W ..... 2

### Performance

Operating temperature range, °C ..... -40...+60

### Design features

Overall dimensions, mm ..... 99x113.6x22.6

Weight, kg, not more than ..... 0.2

Protection class ..... IP20

Mounting ..... on DIN-rail

### Reliability and manufacturer's warranties

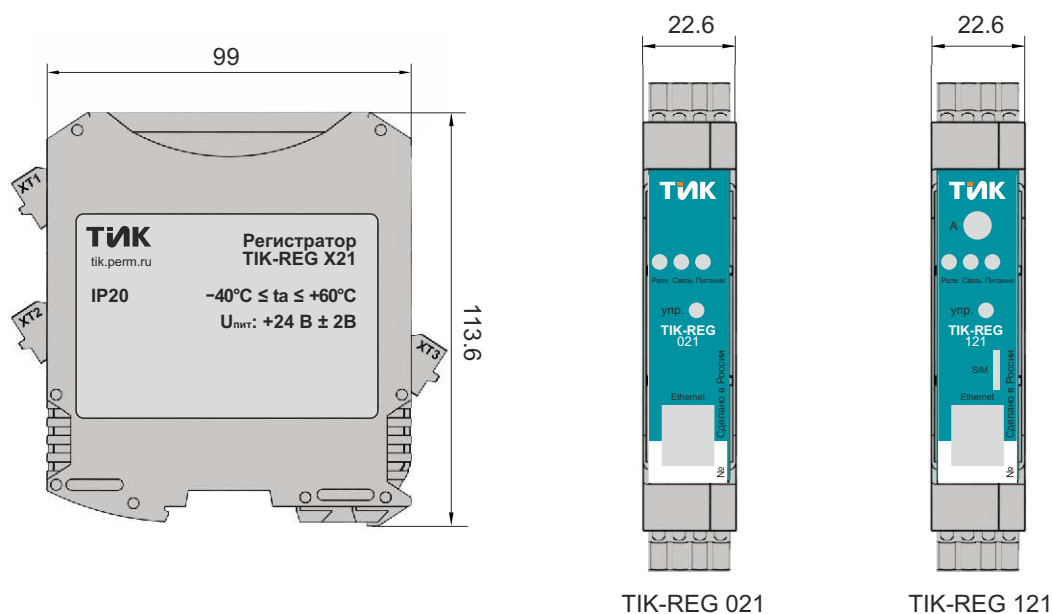
MTBF, hours, not less than ..... 20 000

Service life, years, not less than ..... 10

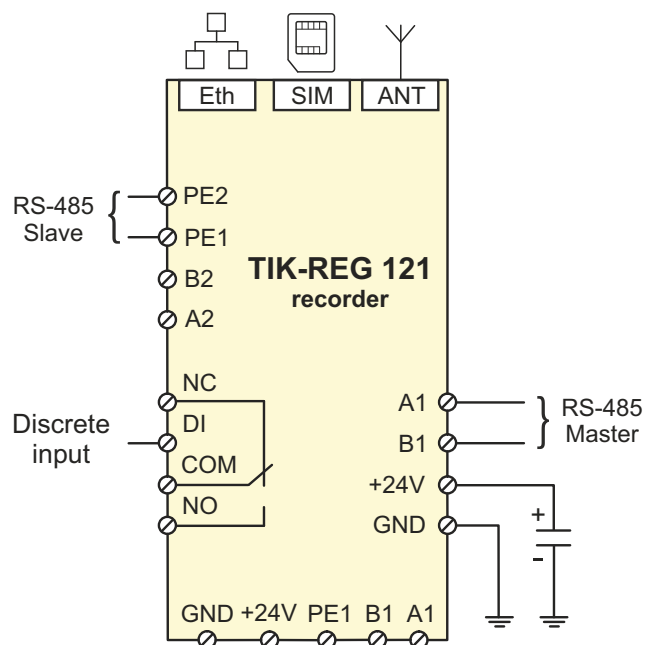
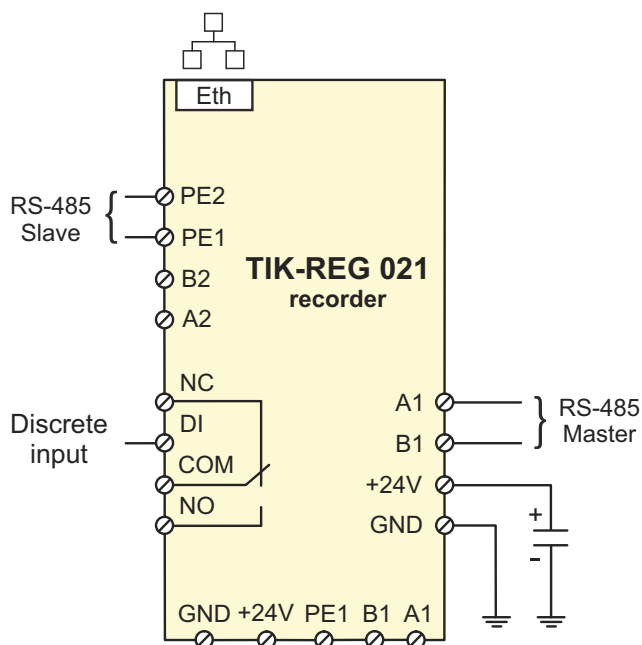
Warranty service life, months ..... 18



## General view



## Wiring diagram



TIK Research & Production Enterprise,  
 Limited Liability Company  
 14A, Marii Zagummennykh St., Perm, 614067, Russia  
 Tel.+7 (342) 214-75-75  
 E-mail: tik@perm.ru  
 Web-site: <https://tik.perm.ru/en>

\*29042022\*